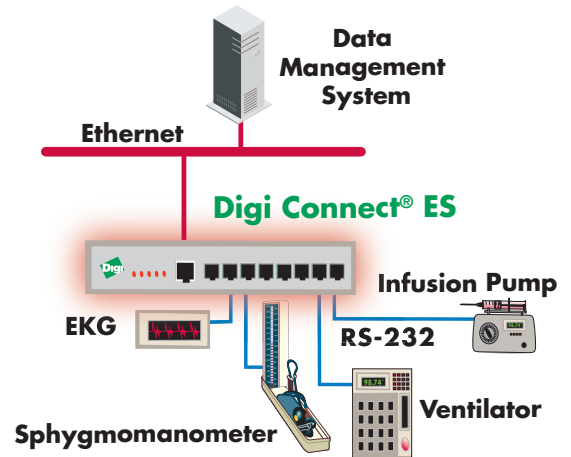




Digi Connect[®] ES (Extended Safety)

Terminal Server

The Digi Connect ES offers extended safety for serial over Ethernet applications that require isolation on and between ports..



Features/Benefits

- 4/8/16-port RS-232 serial-to-network connectivity
- IEC 60601 compliant
- Galvanic isolation on all ports
- Wall mountable
- Patented Digi RealPort[®] technology provides local serial port functionality
- RealPort with encryption available for SSL-based protection for additional security
- Ports may be shared between multiple hosts running different operating systems
- Supports SNMP for easy network management

Overview

Digi Connect ES provides mission-critical serial over Ethernet connectivity. It is the first IEC 60601/EN60601 compliant device of its kind and consists of four, eight or 16 galvanic isolated RS-232 serial ports, with a 10/100 Mbps network interface and Ethernet switch (eight-, 16-port models). Common applications include providing Ethernet connections from serial devices such as ventilators, EKGs, patient monitoring systems, infusion pumps and glucose meters to the central data management system.

Galvanic isolation provides extended electrical safety. There is no electrical path for current to earth ground, ensuring no electrical shock when making physical contact with the Digi Connect ES. There is no electrical path from port to port, ensuring a ground fault will not affect the operation of the Digi Connect ES or the operation of any device connected to it.

Digi Connect ES solutions offer the most robust feature set on the market. Digi's patented RealPort technology makes it possible to establish a connection between the host and a networked serial device by creating a local COM or TTY port on the host computer, allowing existing software applications to work without modification. Incoming/outgoing and Telnet sessions on each port give system administrators a high level of control over networked serial devices. Other features include Secure Shell (SSH v2) encryption to protect against unauthorized network monitoring or "sniffing."

Features/Specifications

FEATURES

- 4/8/16 separately isolated RS-232 serial ports (2.5 kV)
- Separately isolated Ethernet ports (1.5 kV)
- Connects to 10/100 Mbps Ethernet LAN
- Integrated 2-port Ethernet switch on 8- and 16-port models
- DHCP, RARP and ARP-Ping for easy IP address assignment
- HTTP for easy browser configuration
- Telnet, Reverse Telnet, Rlogin and auto-connect
- Up to 9 Telnet or Rlogin sessions per port
- TCP and UDP Socket support
- Password access
- Line Printer Daemon (LPD)
- SNMP
- Digi Port Authority-Remote for easy monitoring
- Easy firmware upgrades via TFTP
- Save/Restore configuration to host
- Surge protection on all ports
- 230 Kbps throughput on all ports
- Full modem and hardware flow control
- LEDs for serial and Ethernet activity
- White metal enclosure
- SSH v2 feature available on all ports simultaneously

REGULATORY APPROVALS

- IEC 60601-1
- UL 60601-1
- EN60601-1
- EN60601-1-2
- EN55011
- EN55022
- EN55024
- AS/NZS CISPR 22
- ICES-003
- FCC P15 Subpart B Class A
- UL 60950-1
- CAN/CSA 22.2 60950-1-3
- IEC/EN60950-1

OPERATING SYSTEMS

- AIX
- HP-UX
- Linux
- Windows® XP, Windows 2000, Windows Server™ 2003, Windows 98, Windows ME, Windows NT®
- SCO® OpenServer™
- SCO UnixWare™
- Solaris™ (Intel)
- Solaris (SPARC)



DIMENSIONS

- Length: 9.30 in (23.50 cm)
- Width: 10.60 in (26.90 cm)
- Depth: 2.10 in (4.20 cm)
- Weight: 3.00 lbs (1.34 kg)

POWER REQUIREMENTS

- Internal 100-240VAC, 50-60 Hz, 10W
- UL certified
- Surge protection
 - 4 kV burst (EFT) per EN61000-4-4
 - 4 kV isolation input to output
 - 2 kV surge per EN61000-4-5

REALPORT SOFTWARE

- Local emulation of UNIX TTY and Microsoft® COM ports
- Transparent printing under UNIX
- Single TCP/IP connection per Digi Connect ES reduces Ethernet traffic and minimizes host CPU utilization
- RealPort with encryption available for added security

ENVIRONMENTAL

- Operating temperature: 0° C to 55° C (32° F to 130° F)
- Relative humidity: 5% to 95% (non-condensing)
- Storage and transport temperature: -30° C to +85° C (-22° F to +185° F)
- Serial port protection (ESD): +15 kV human body model

MODEL.....PART NUMBERS

Model

Digi Connect ES 4
 Digi Connect ES 8
 Digi Connect ES 8 with Ethernet Switch
 Digi Connect ES 16
 Digi Connect ES 16 with Ethernet Switch
 Digi Connect ES VESA Mounting Bracket

North America

DC-ES-4
 DC-ES-8
 DC-ES-8-SW
 DC-ES-16
 DC-ES-16-SW
 DC-ES-BKT

International

DC-ES-4-EU
 DC-ES-8-EU
 DC-ES-8-SW-EU
 DC-ES-16-EU
 DC-ES-16-SW-EU
 DC-ES-BKT

DIGI PORT AUTHORITY-REMOTE

- Remote monitoring application
- Port status
- Ethernet status

DIGI SERVICE AND SUPPORT - You can purchase with confidence knowing that Digi is here to support you with expert technical support and a strong five-year warranty. www.digi.com/support



Digi International

11001 Bren Road E.
 Minnetonka, MN 55343
 U.S.A.
 PH: 877-912-3444
 952-912-3444
 FX: 952-912-4952
 email: info@digi.com

Digi International France

31 rue des Poissonniers
 92200 Neuilly sur Seine
 PH: +33-1-55-61-98-98
 FX: +33-1-55-61-98-99
www.digi.fr

Digi International KK

NES Building South 8F
 22-14 Sakuragaoka-cho,
 Shibuya-ku
 Tokyo 150-0031, Japan
 PH: +81-3-5428-0261
 FX: +81-3-5428-0262
www.digi-intl.co.jp

Digi International (HK) Limited

Suite 1703-05, 17/F.,
 K Wah Centre
 191 Java Road
 North Point, Hong Kong
 PH: +852-2833-1008
 FX: +852-2572-9989
www.digi.cn

Digi International, the leader in device networking for business, develops reliable products and technologies to connect and securely manage local or remote electronic devices over the network or via the web. With over 20 million ports shipped worldwide since 1985, Digi offers the highest levels of performance, flexibility and quality.

www.digi.com

© 1999-2008 Digi International Inc.

All rights reserved. Digi, Digi International, the Digi logo, the When Reliability Matters logo, RealPort and Digi Connect are either trademarks or registered trademarks of Digi International Inc. in the United States and other countries. All other trademarks are the property of their respective holders.

91001320
 D1/208

